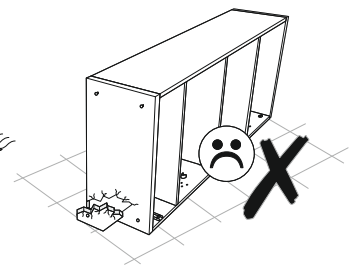
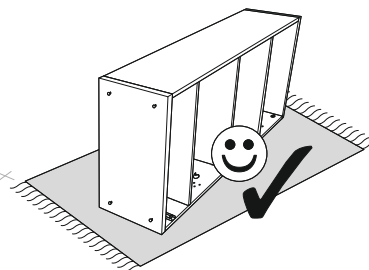
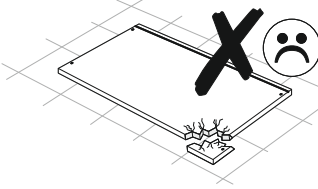
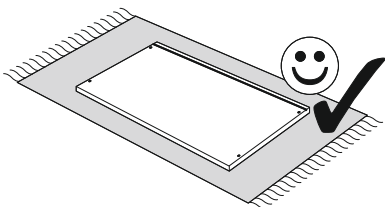
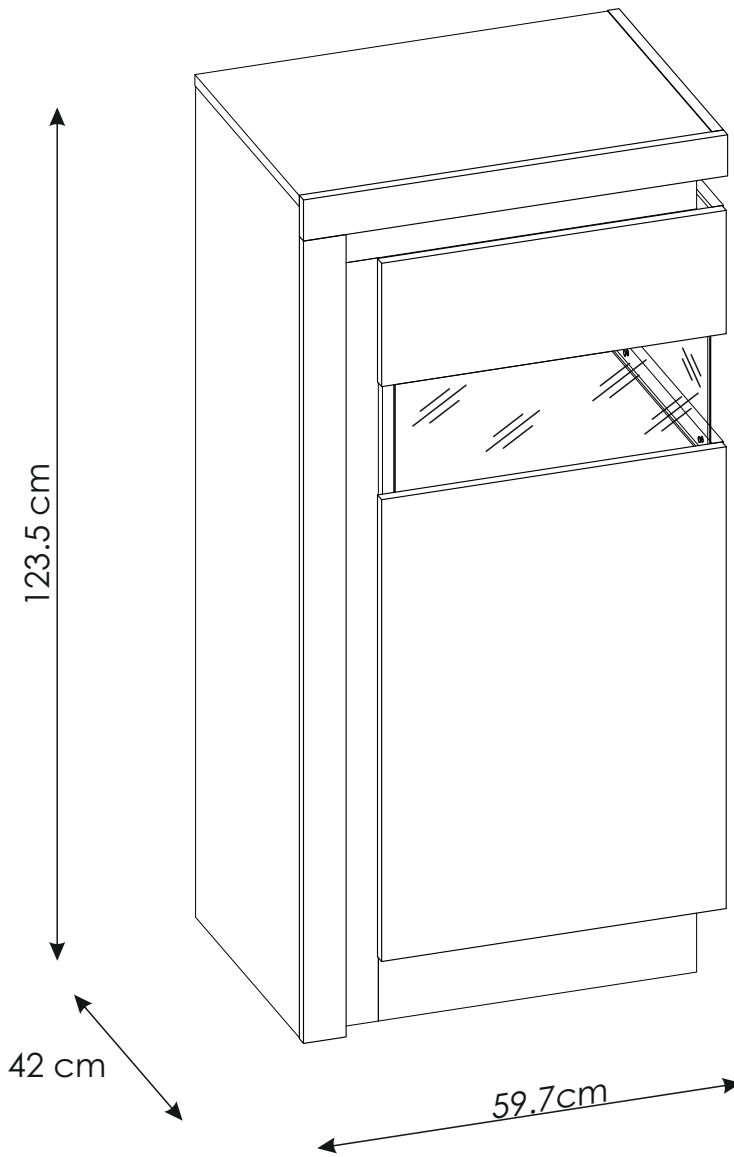
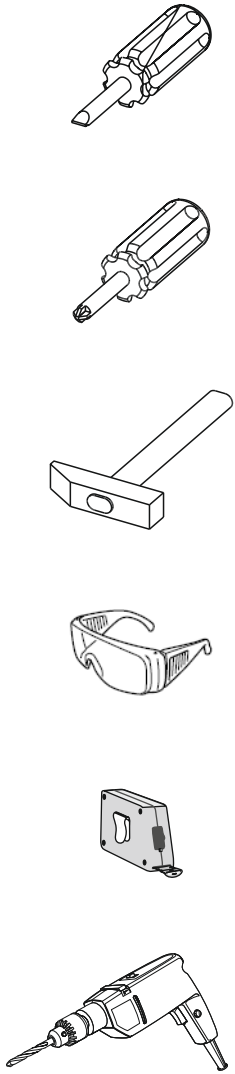
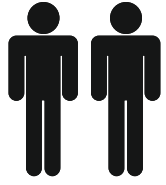
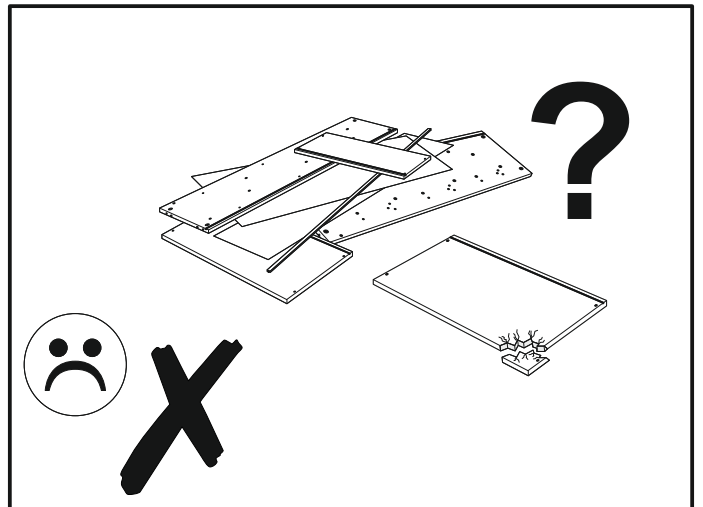
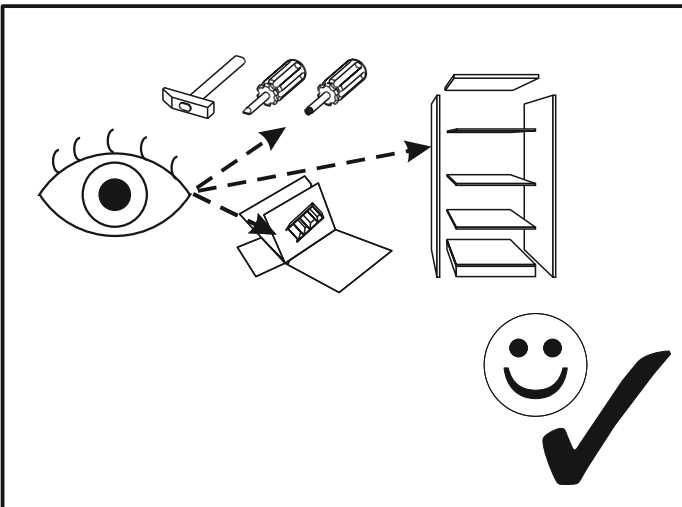
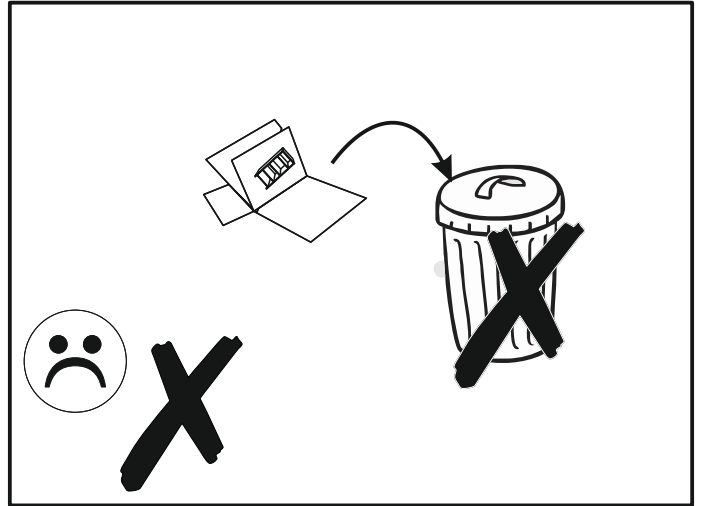
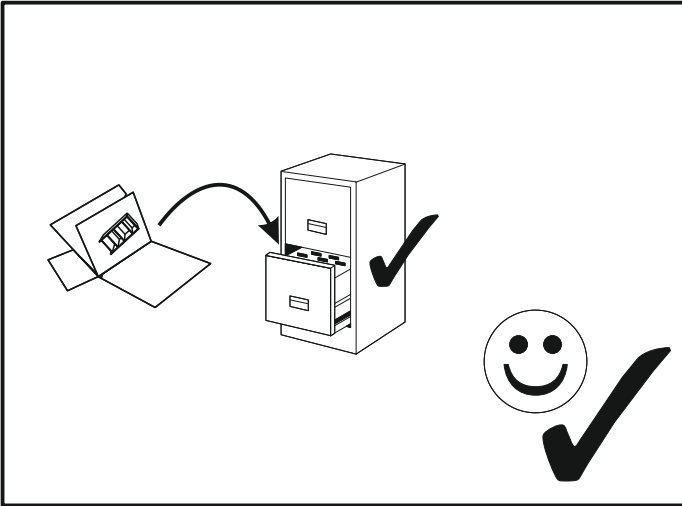
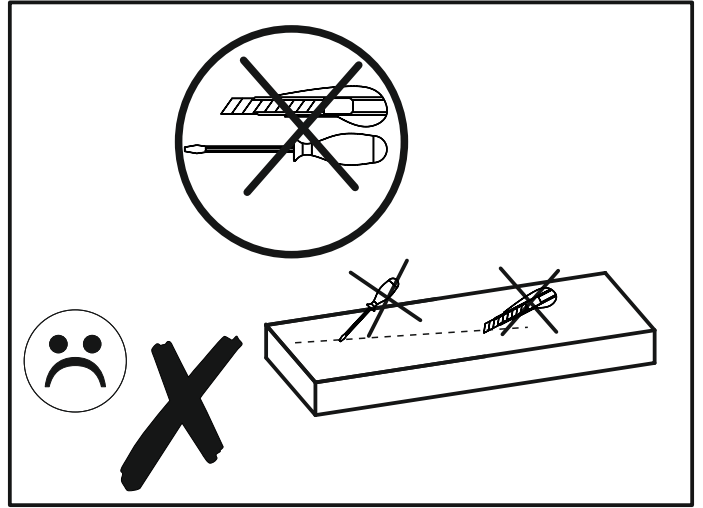
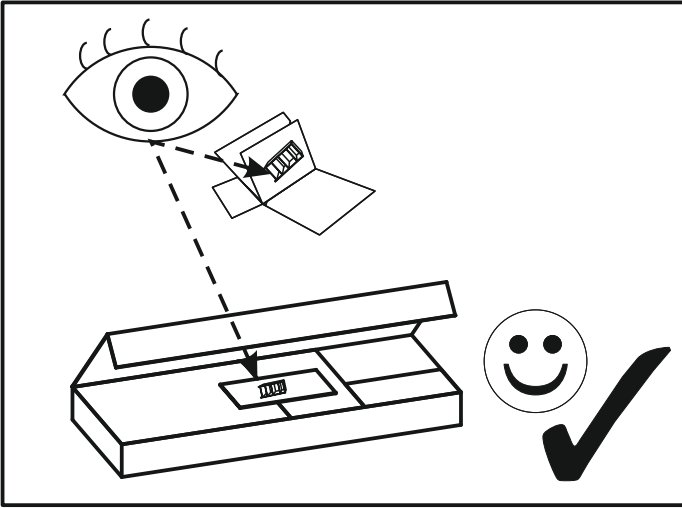


LEONARDO LYOV02 P







MM

260

250

240

230

220

210

200

190

180

170

160

150

140

130

120

110

100

90

80

70

60

50

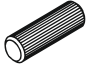
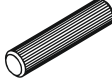
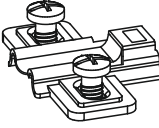
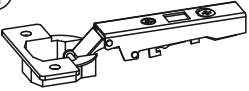


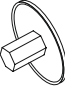

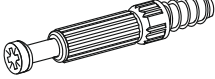
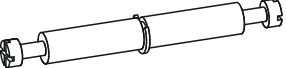
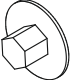


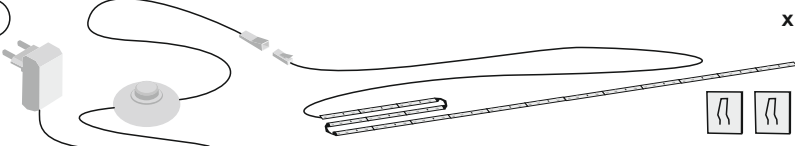
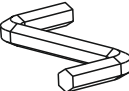
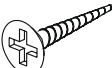
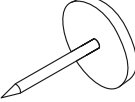
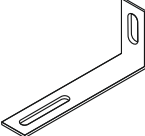
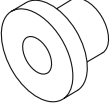
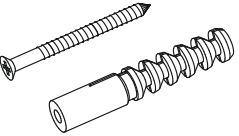
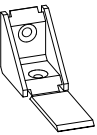
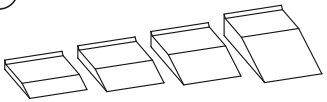
40

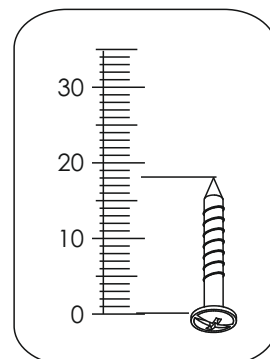
30

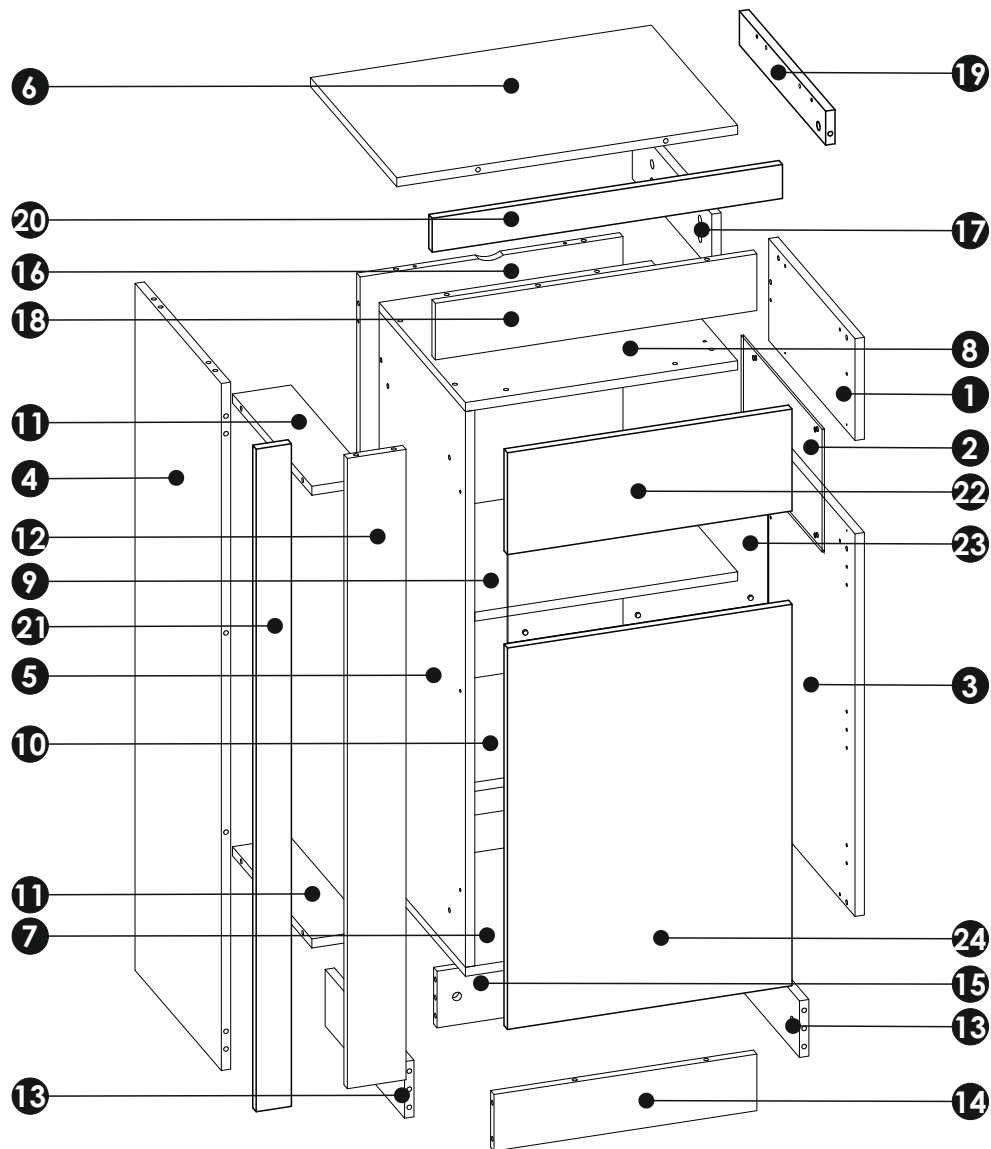
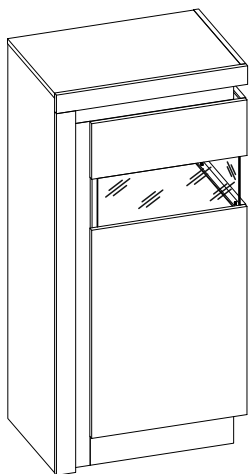
20

10

0

A1 8 x 35 mm x46 	A2 8 x 45 mm x2 	B0  x3
BC11  x3	C1 4 x 13 mm x6 	D2  x4
E0  x32	E1 15 x 12 mm x43 	F1 6 x 34 mm x39 
F3 7 x 58 mm x2 	G0  x15	G1 7 x 50 mm x15 
I2 4 x 16 mm x11 	L  x1	
M  x1	N2 3,5 X 16 mm x12 	O2  x6
Q9  x1	R3  x10	S13  x1
W  x6	Z  x1	

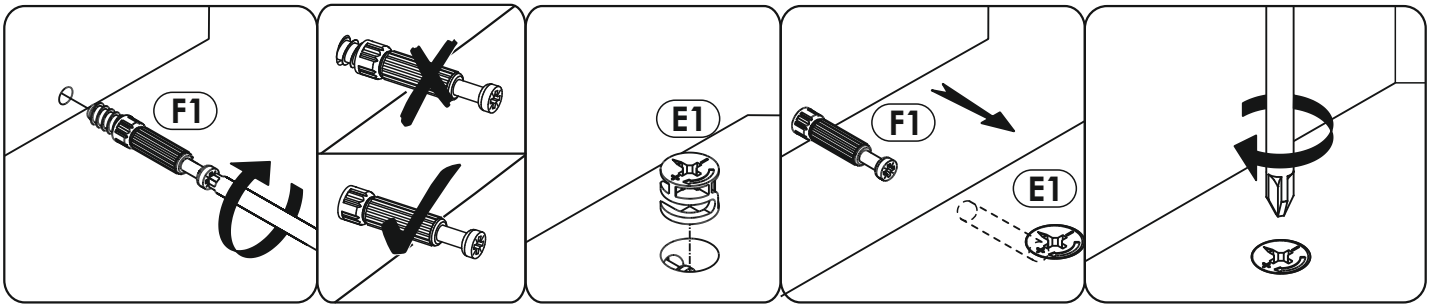




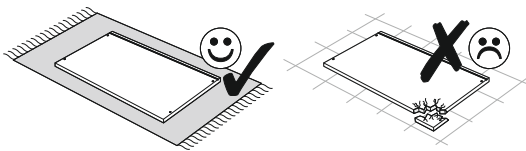
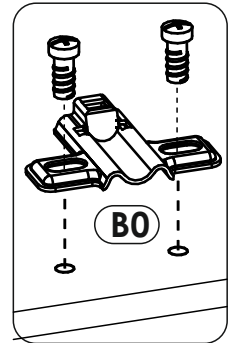
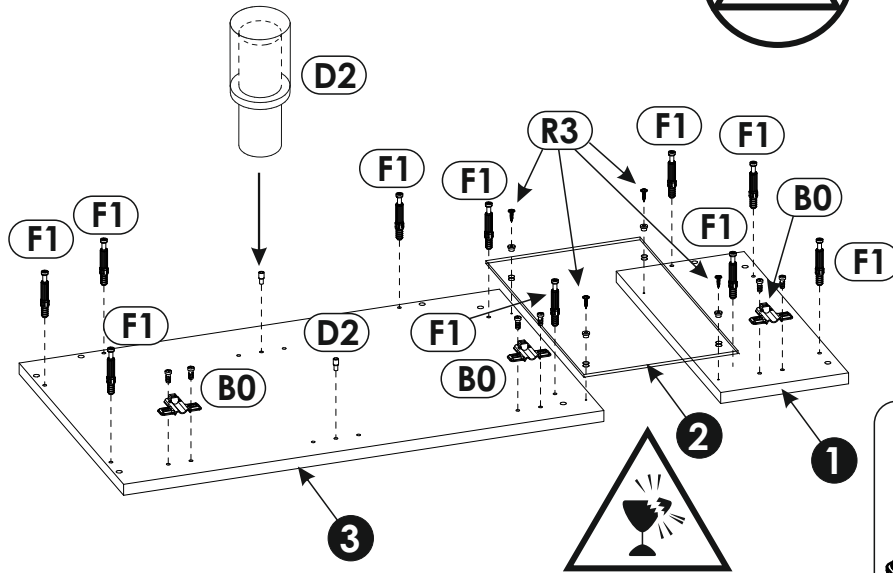
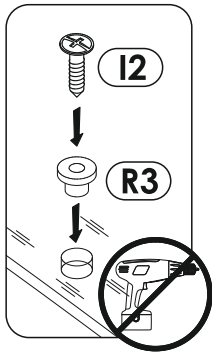
1	180	404	16 x1	1/2
2	379	217	4 x1	1/2
3	676	404	16 x1	1/2
4	1214	404	16 x1	2/2
5	982	404	16 x1	2/2
6	581	404	16 x1	1/2
7	464	404	16 x1	1/2
8	464	404	16 x1	1/2

9	448	387	16 x1	1/2
10	448	372	16 x1	1/2
11	372	100	16 x2	2/2
12	1114	100	16 x1	2/2
13	372	100	16 x2	2/2
14	448	100	16 x1	1/2
15	357	100	16 x1	1/2
16	982	448	16 x1	2/2

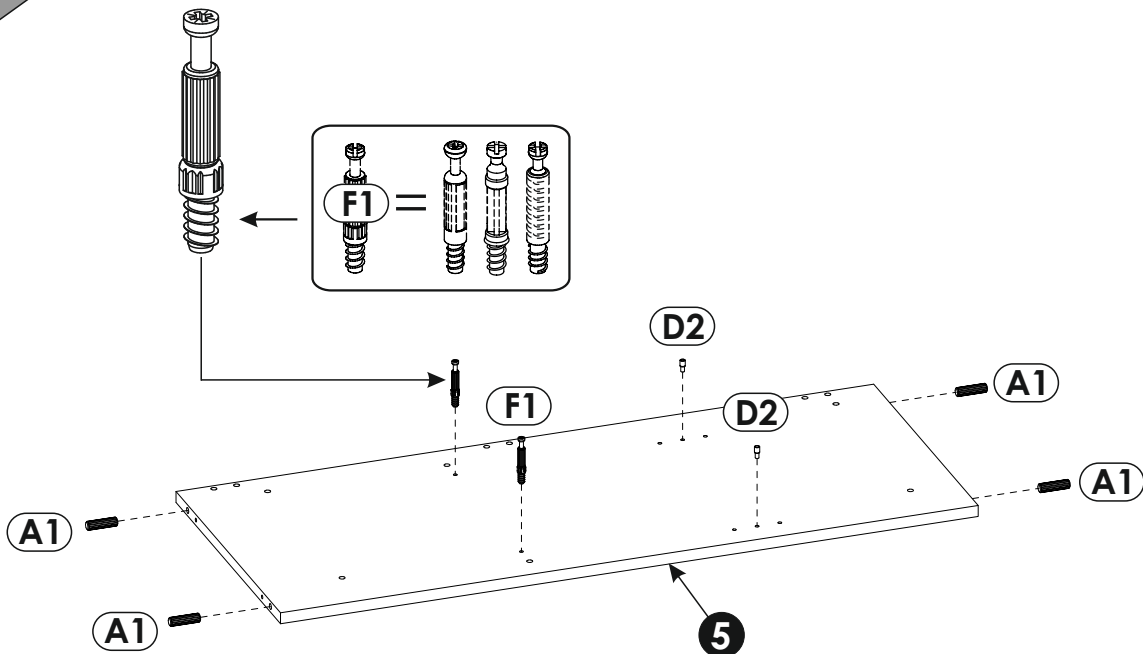
17	372	100	16 x1	1/2
18	548	100	16 x1	1/2
19	404	60	16 x1	2/2
20	597	60	16 x1	2/2
21	1171	60	16 x1	2/2
22	485	180	16 x1	1/2
23	444	217	4 x1	1/2
24	485	674	16 x1	1/2



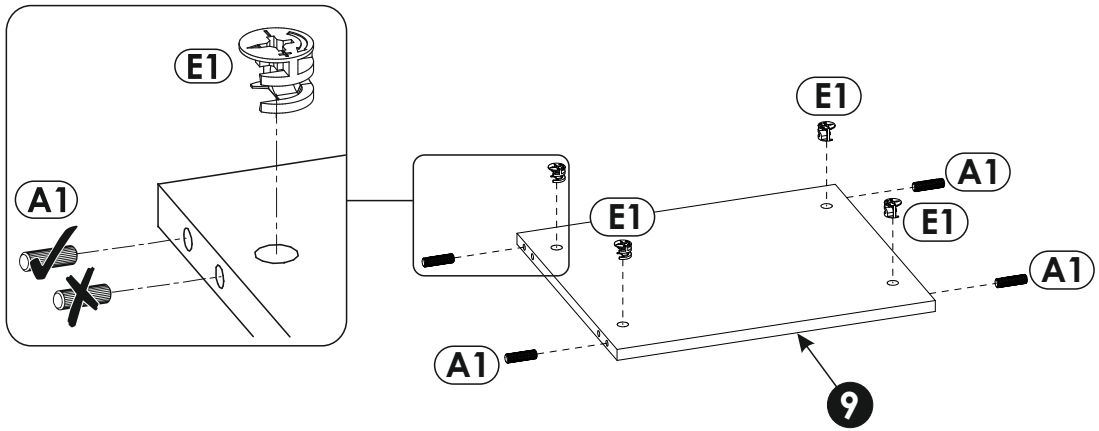
1 ▶



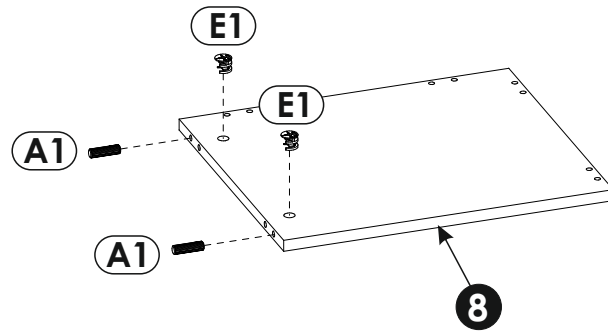
2 ▶



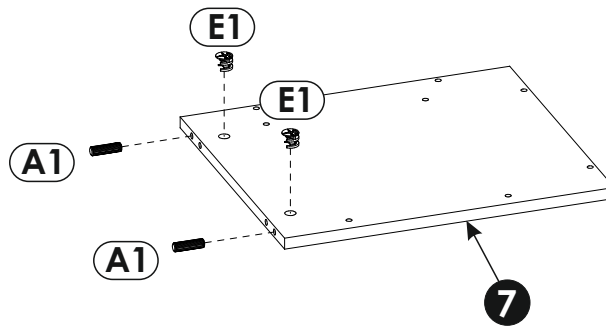
3▶



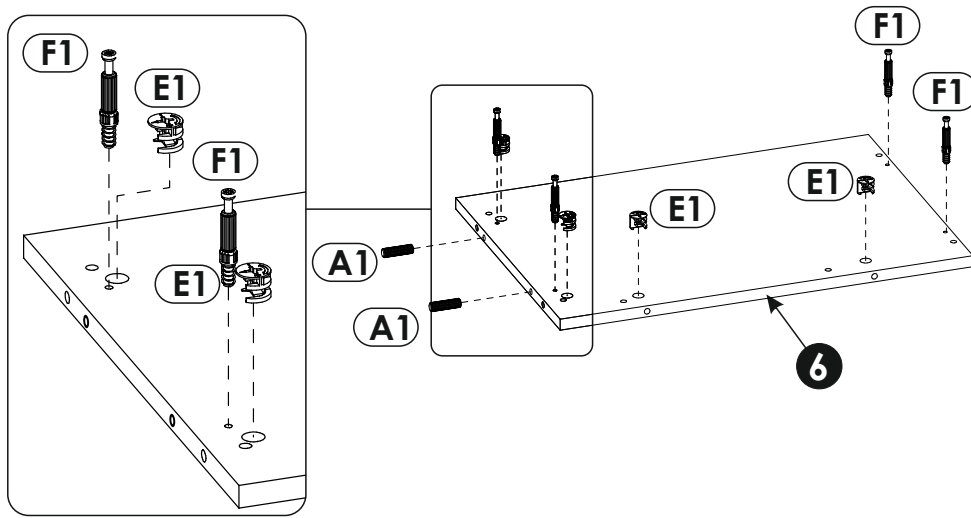
4▶



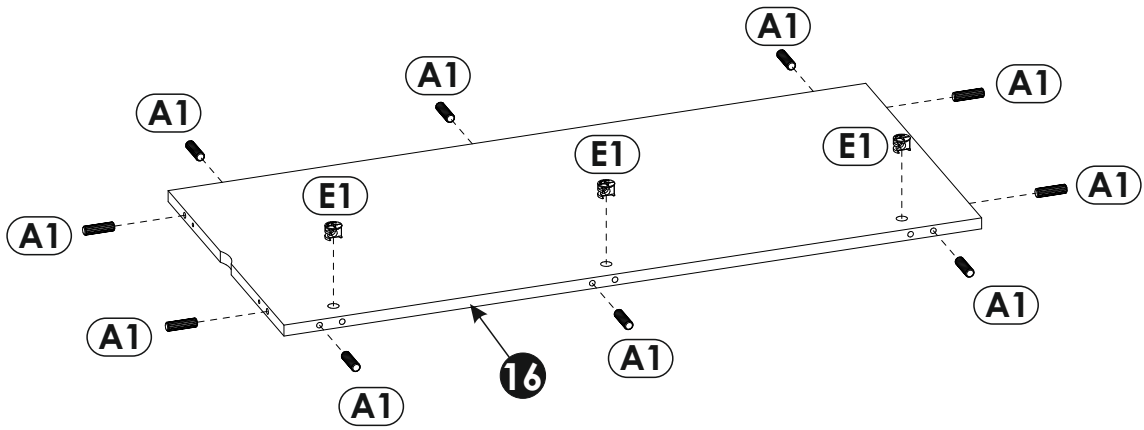
5▶



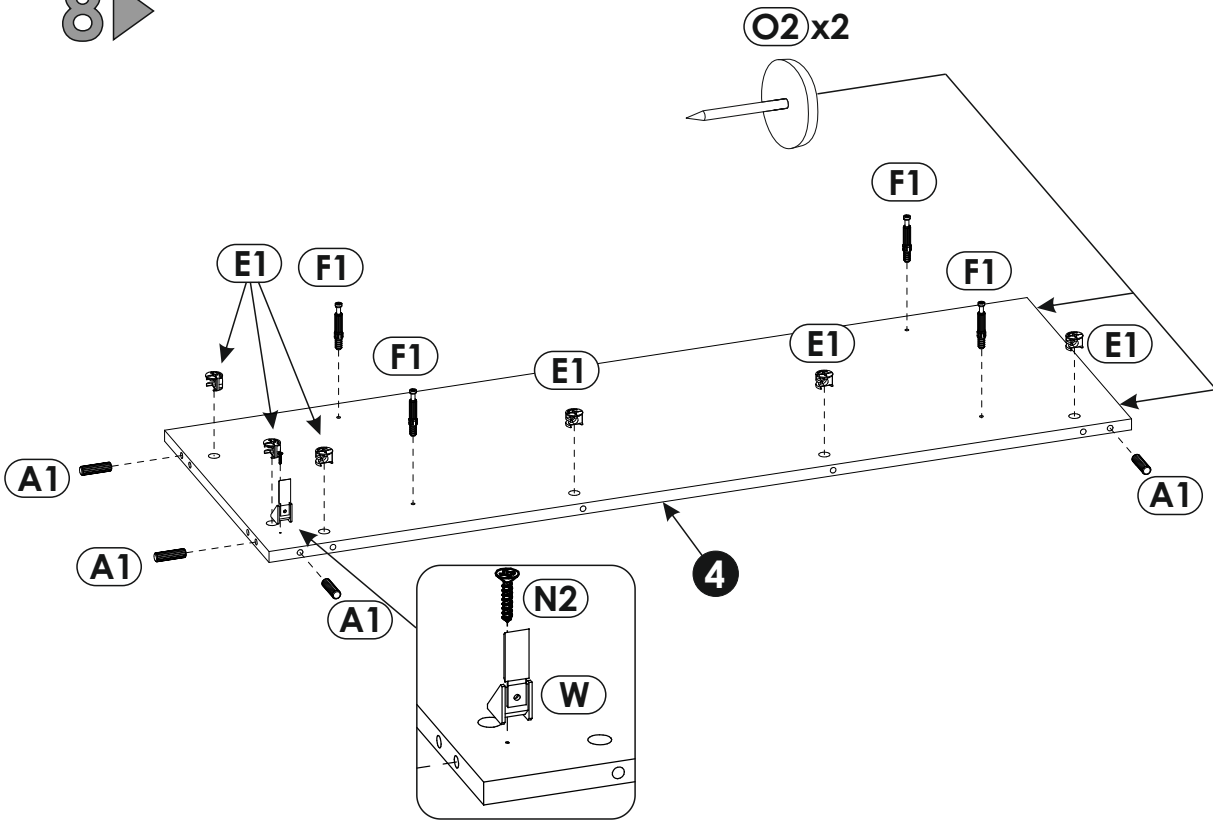
6 ▶



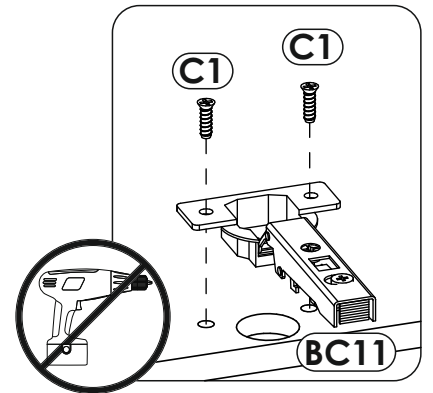
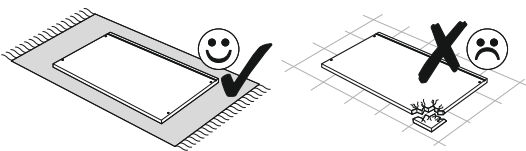
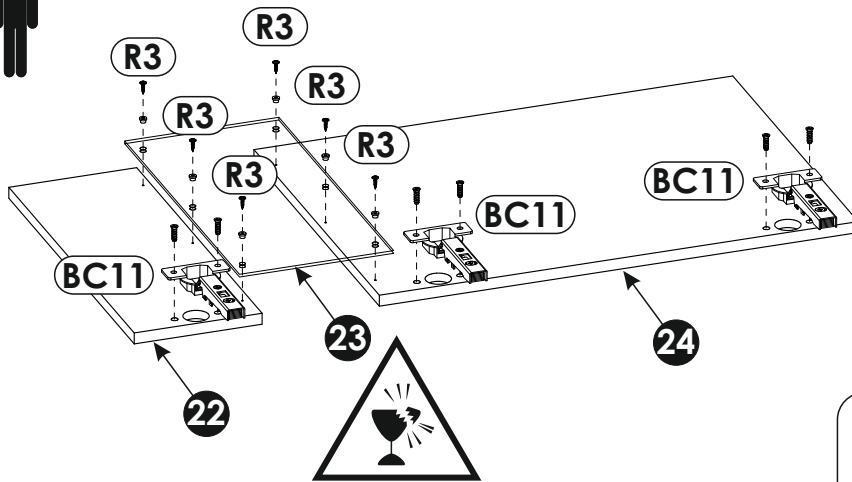
7 ▶



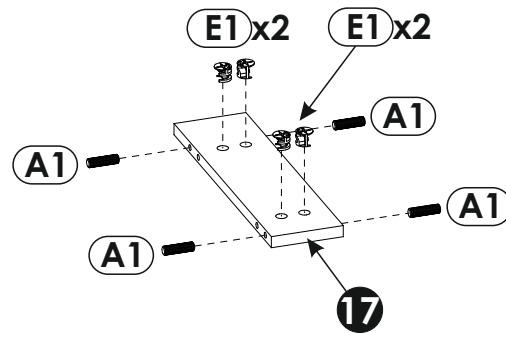
8 ▶



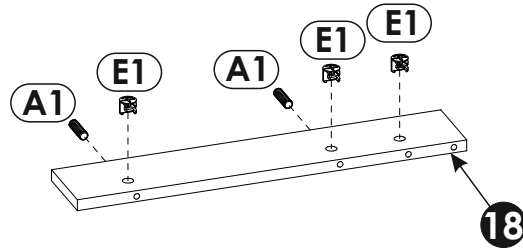
9 ▶



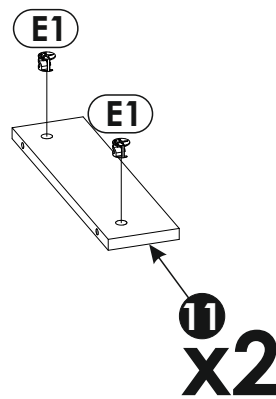
10▶



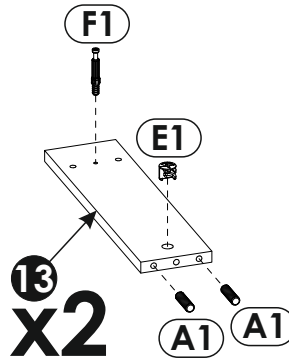
11▶



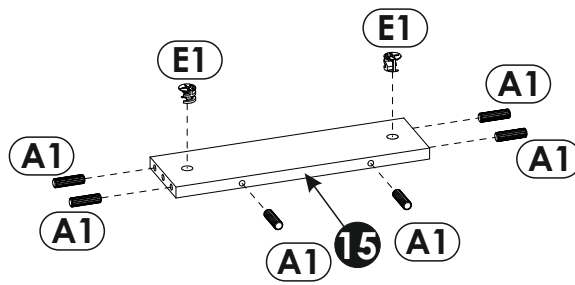
12▶



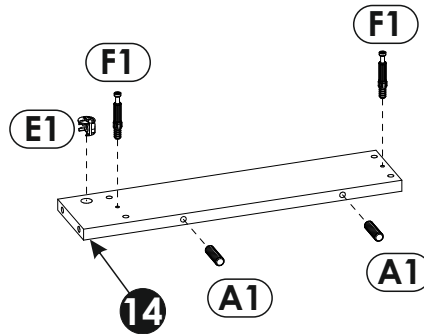
13▶



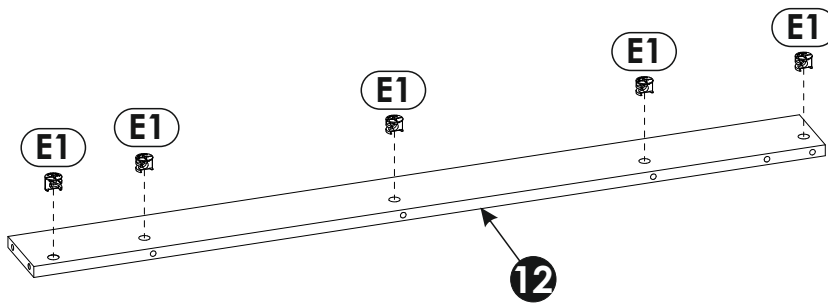
14▶



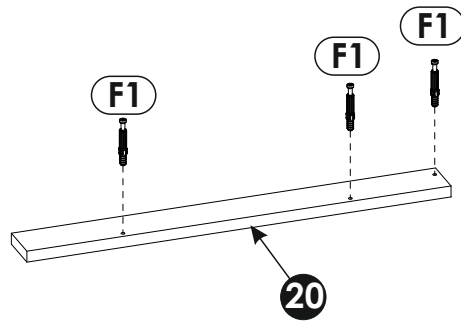
15▶



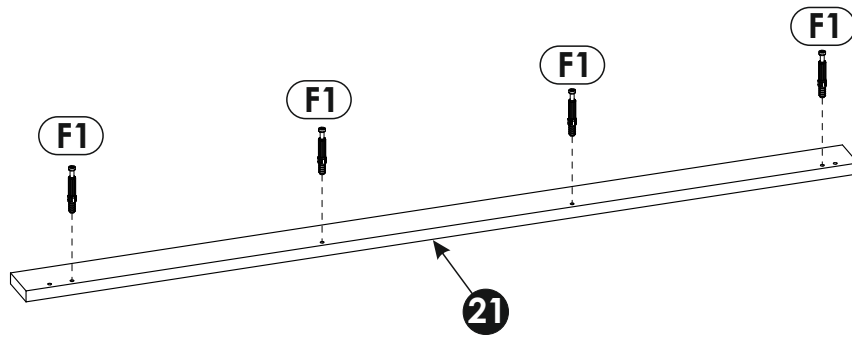
16▶



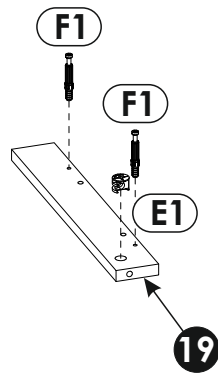
17▶



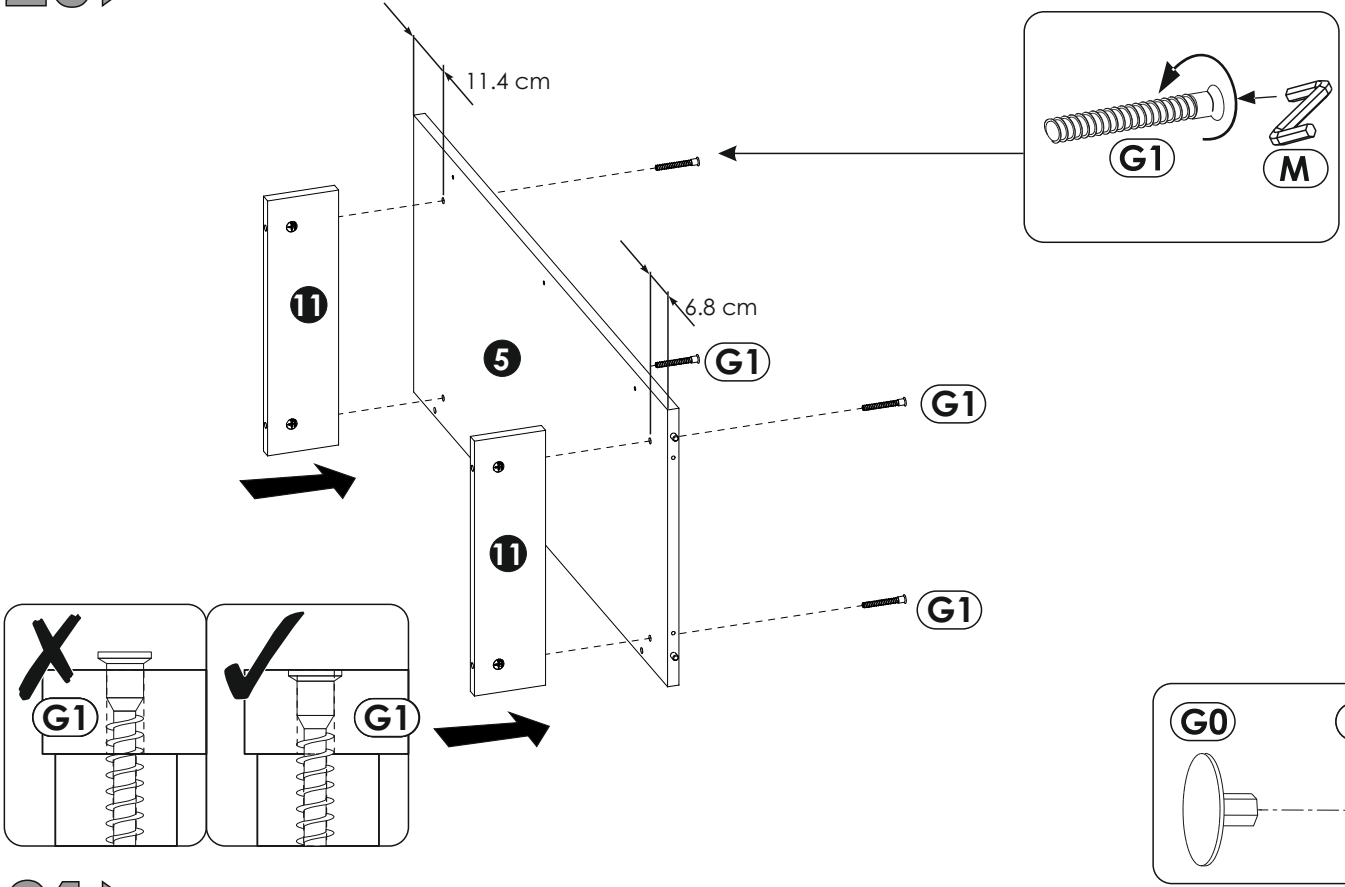
18▶



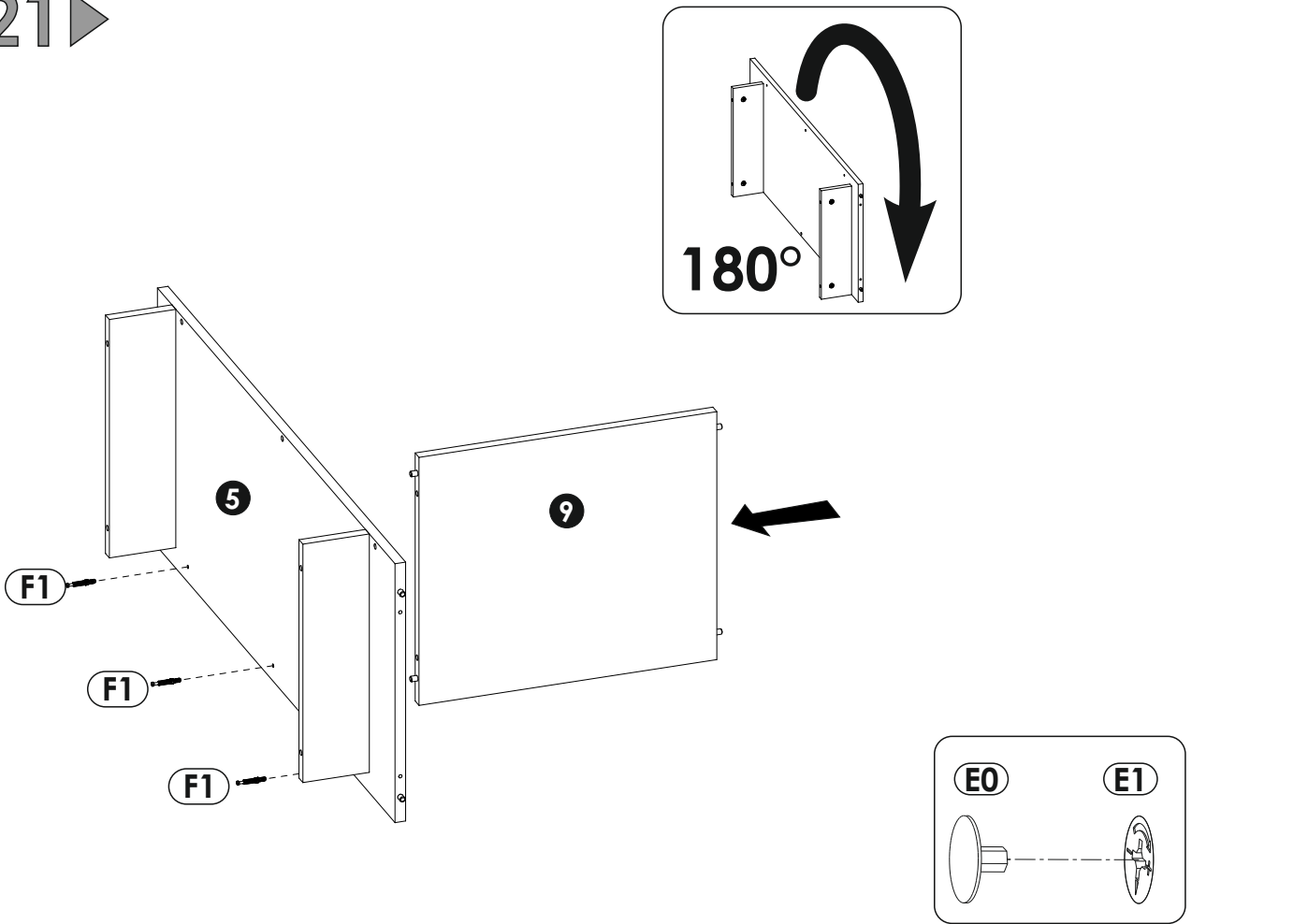
19▶



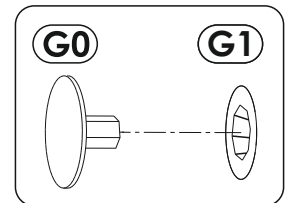
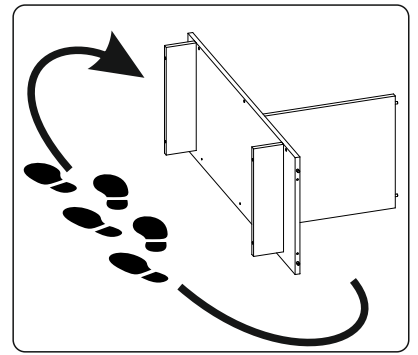
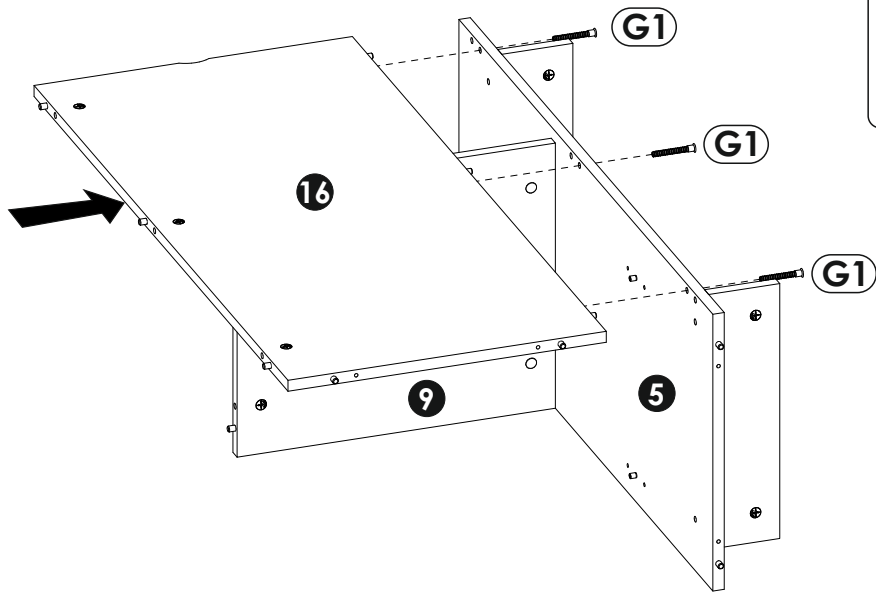
20 ▶



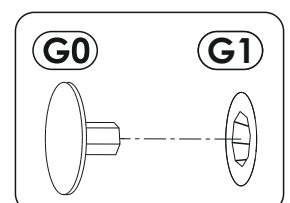
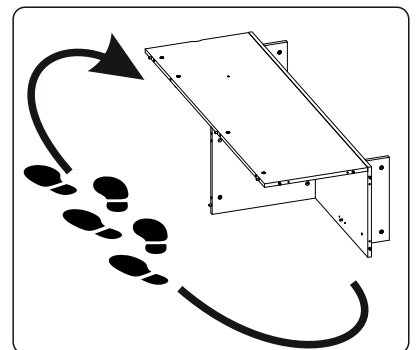
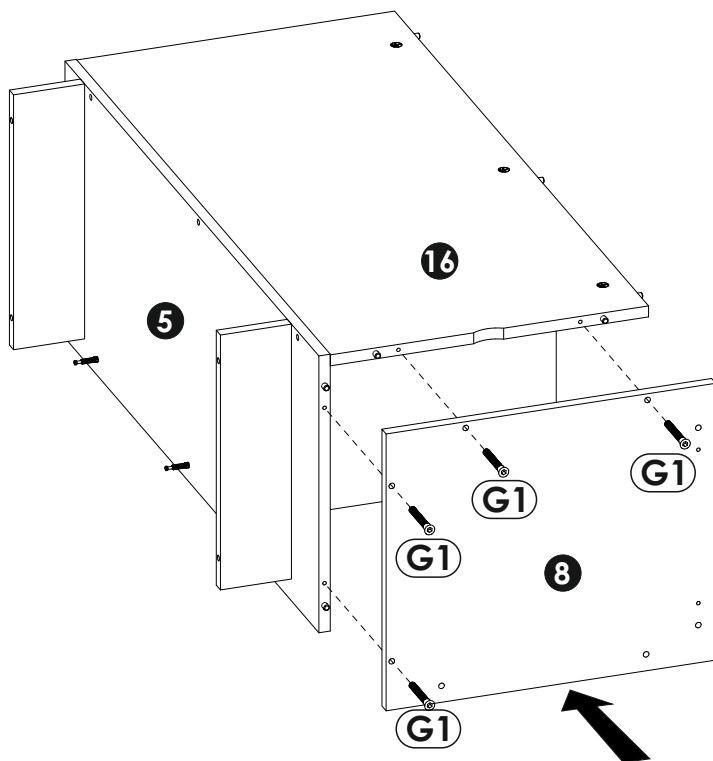
21 ▶



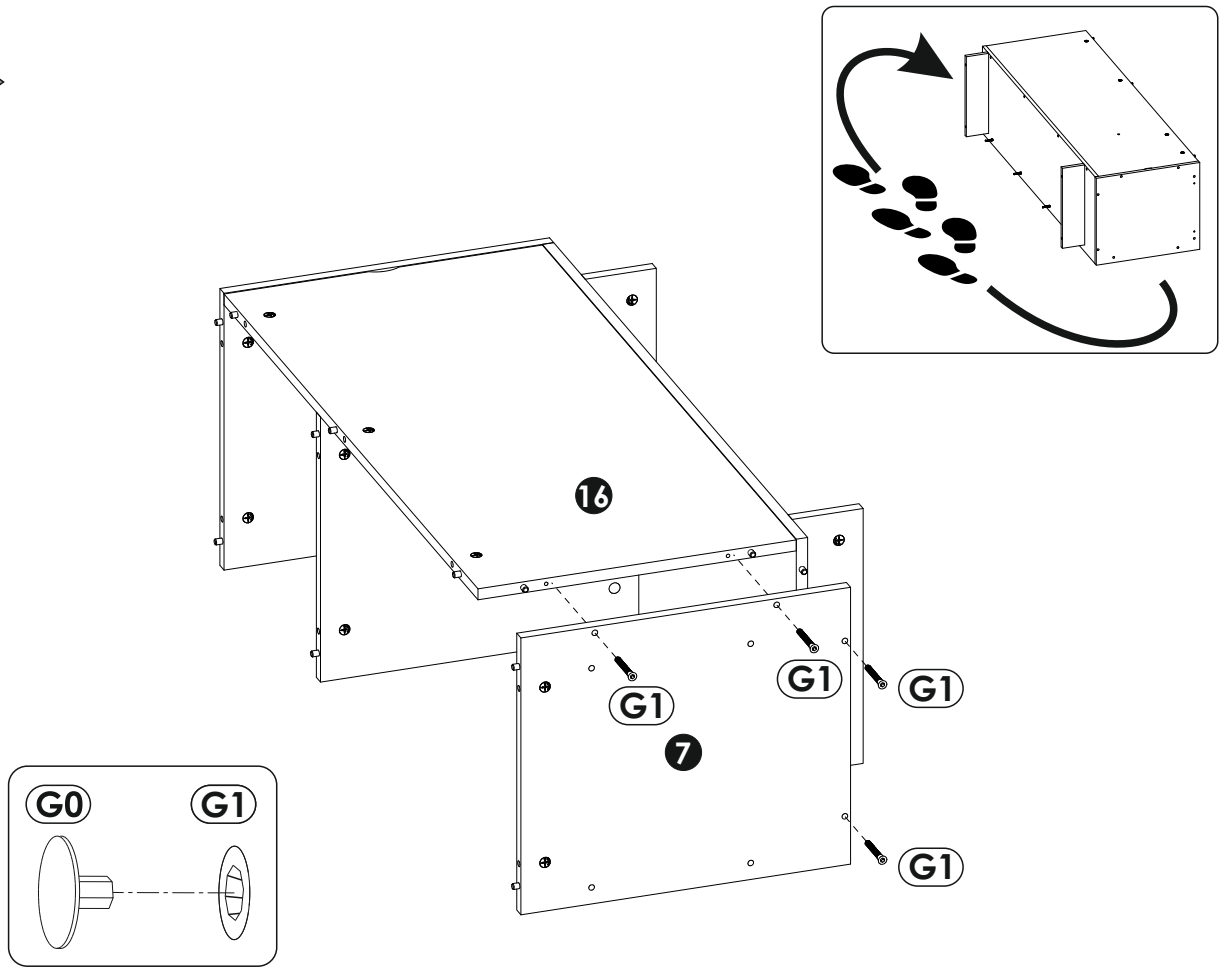
22 ▶



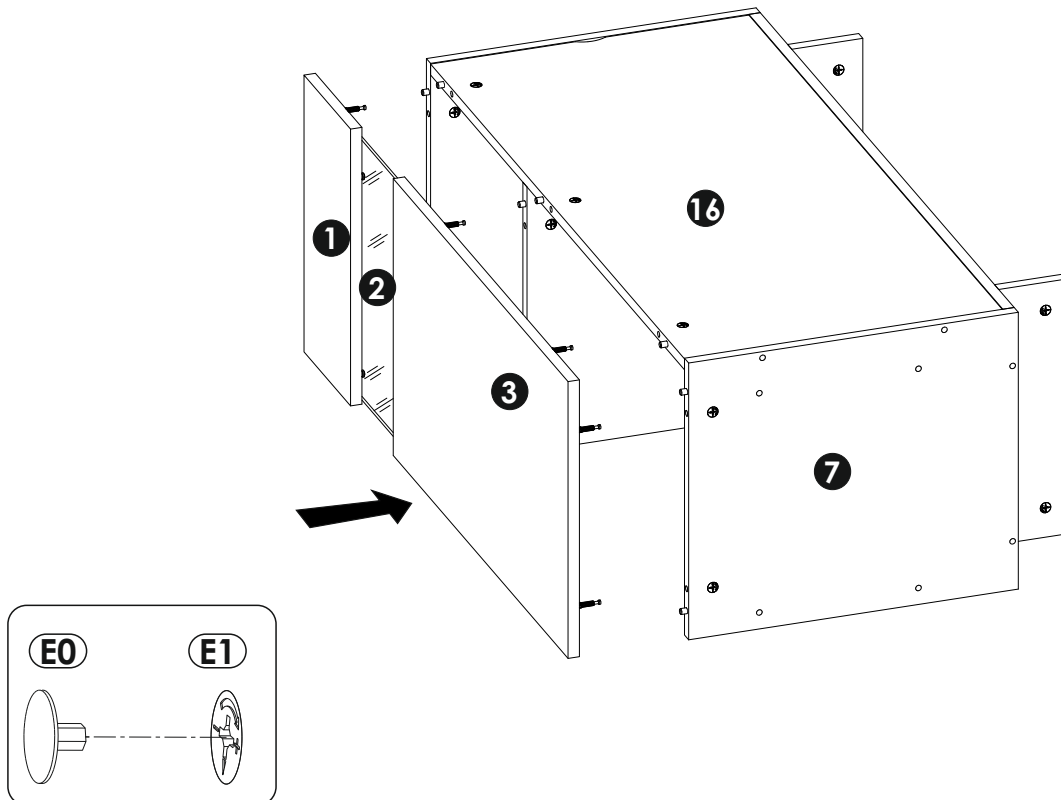
23 ▶



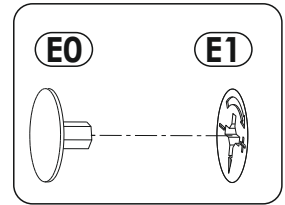
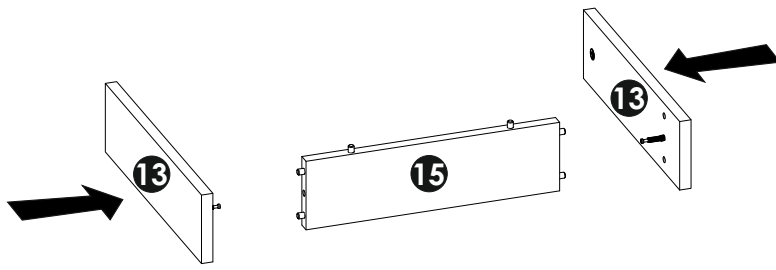
24▶



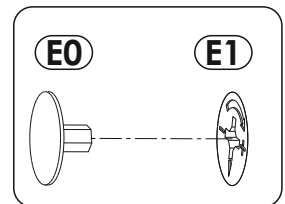
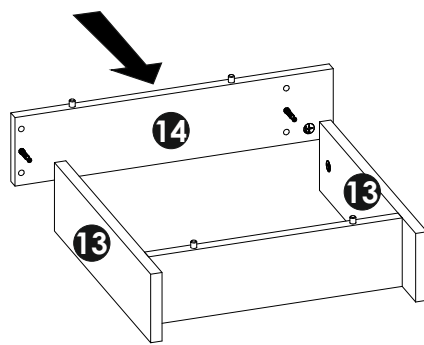
25▶



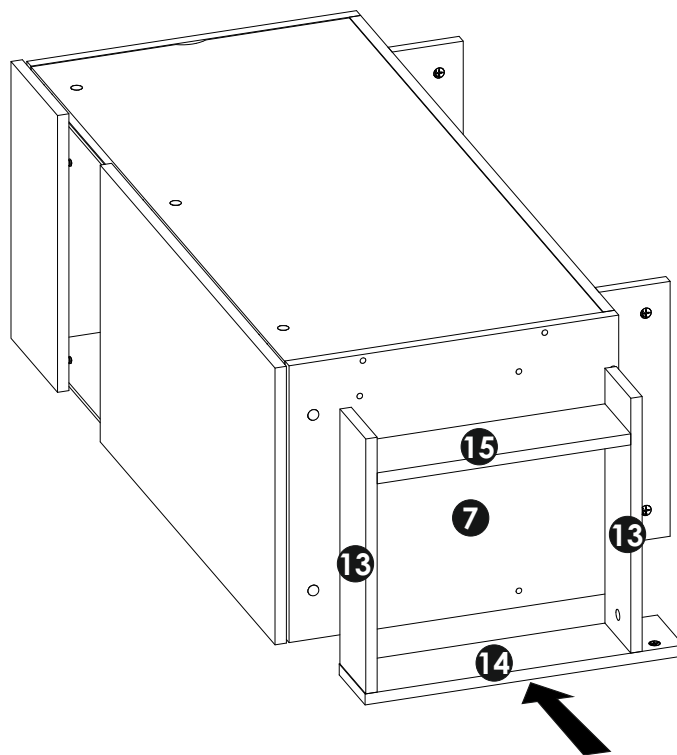
26 ▶



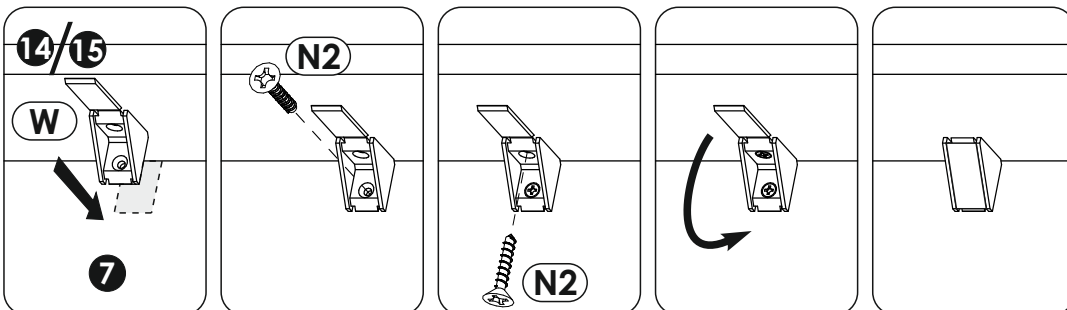
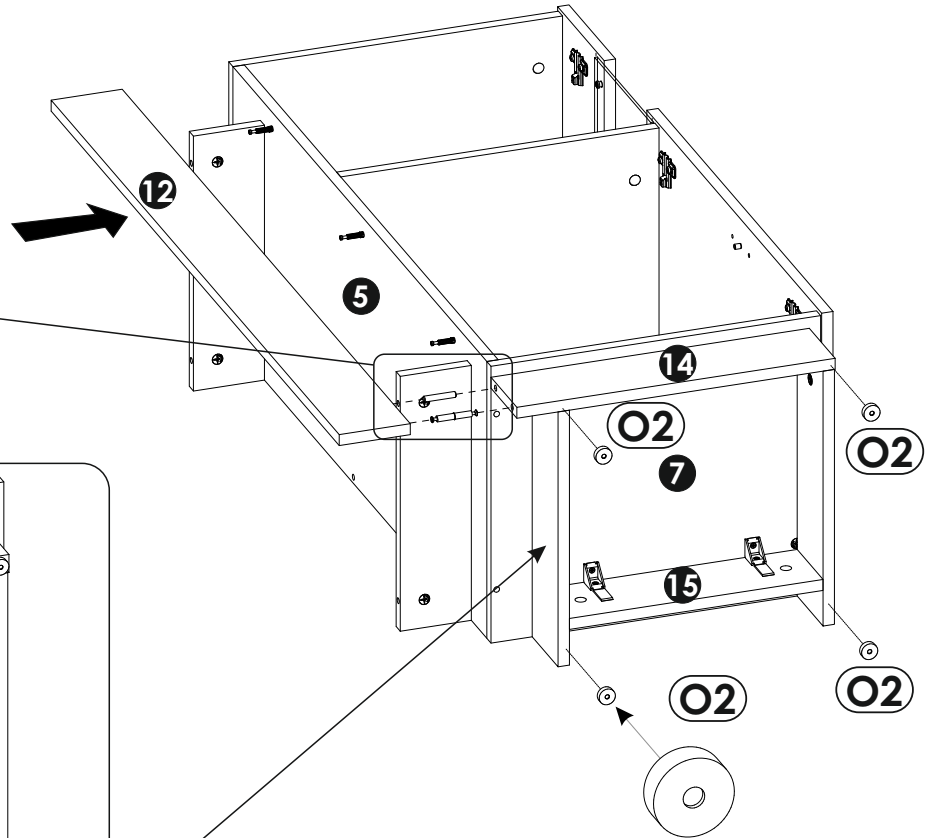
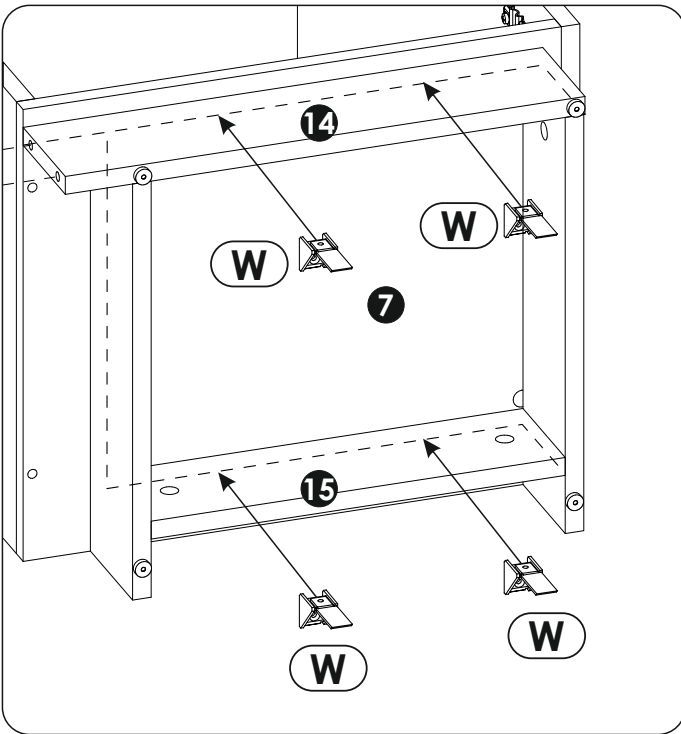
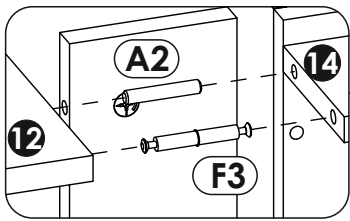
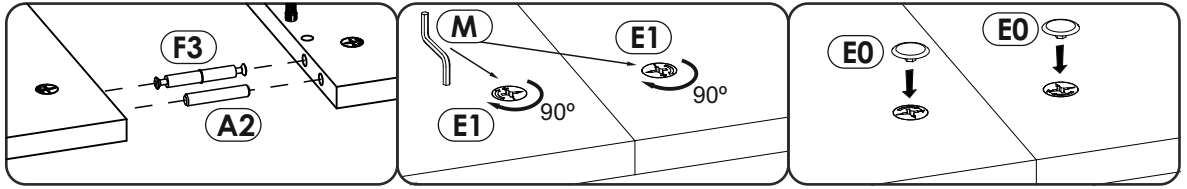
27 ▶



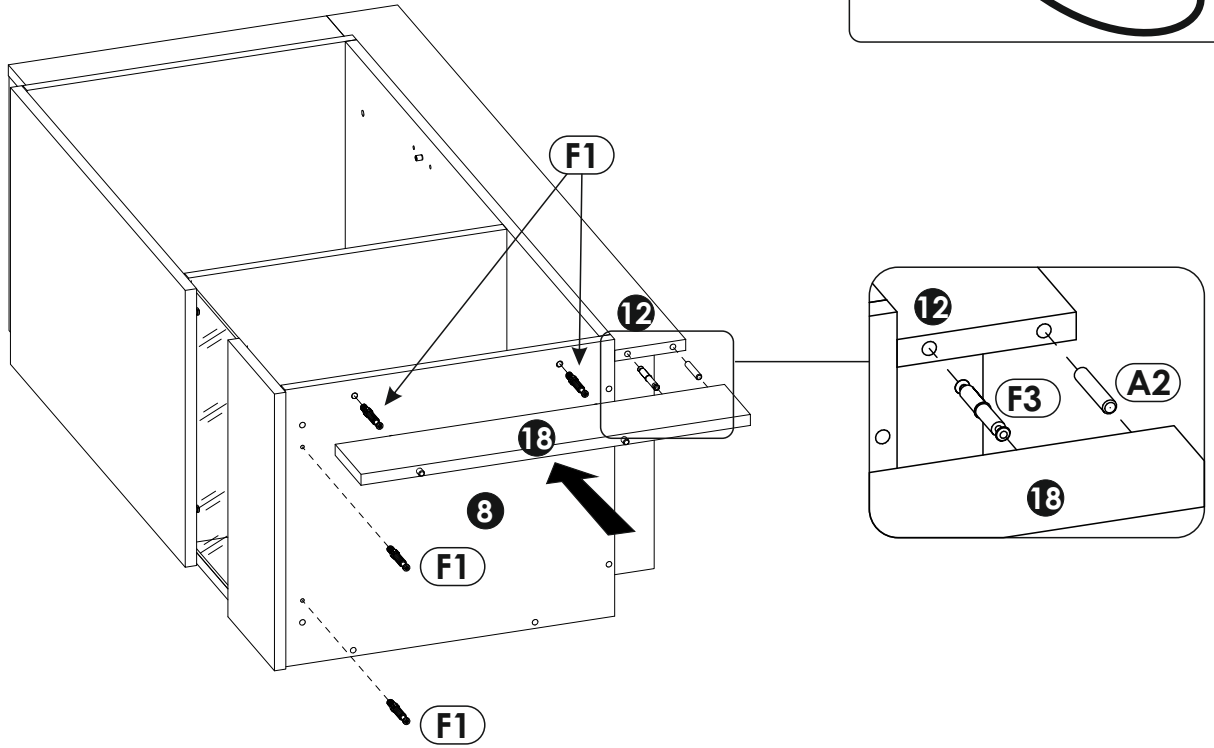
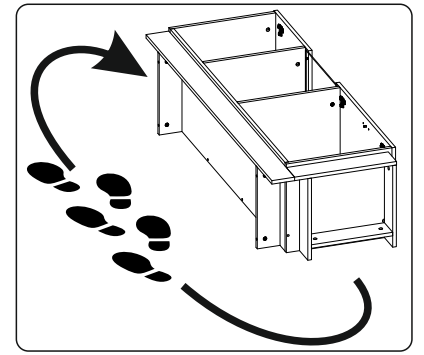
28 ▶



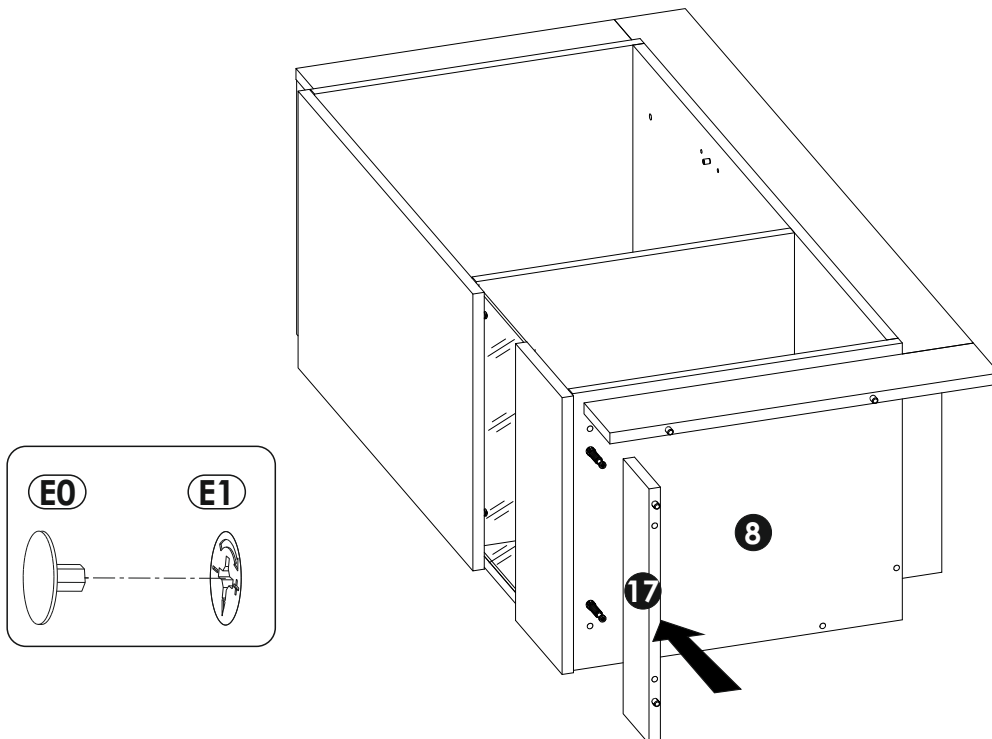
29 ▶



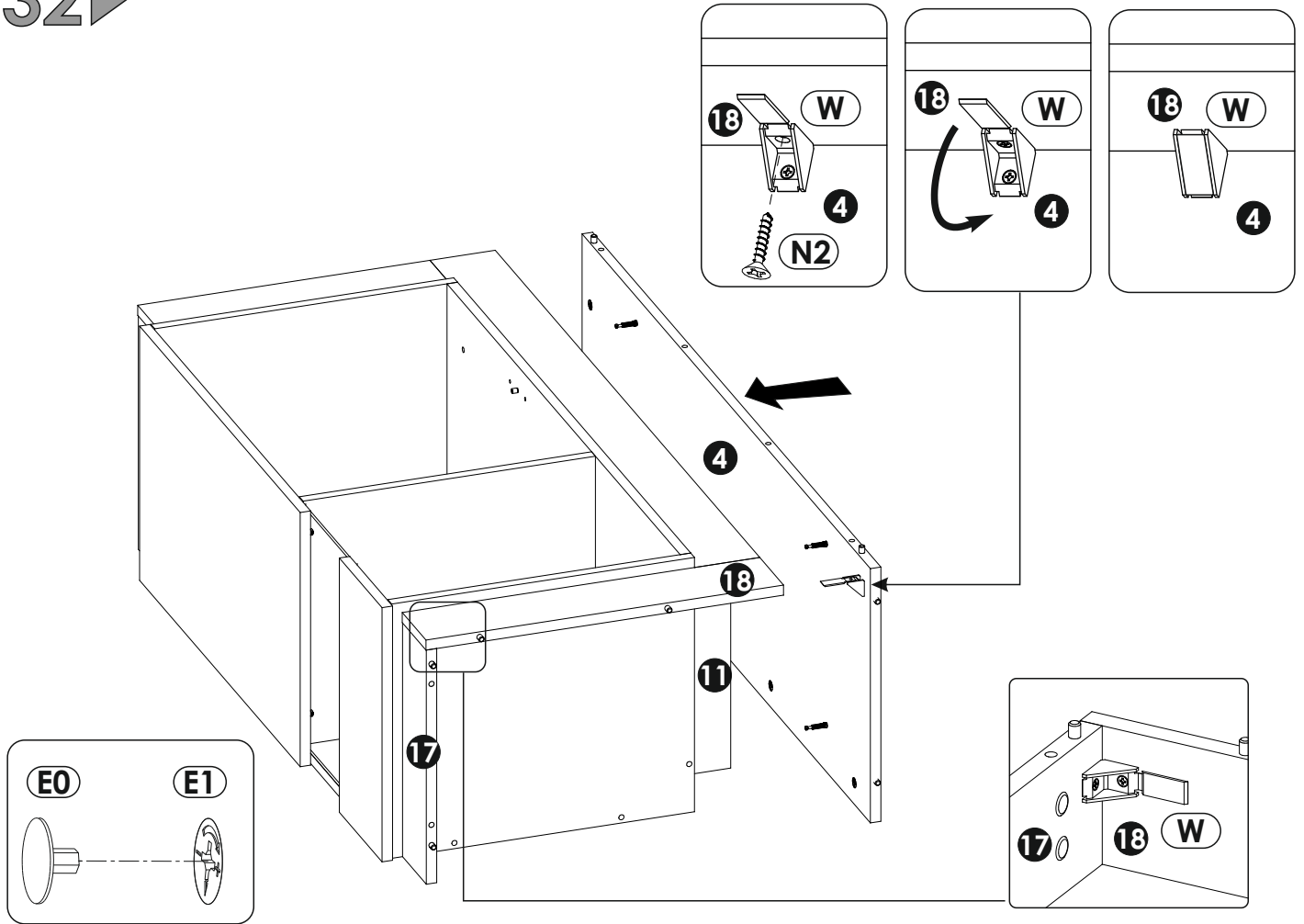
30 ▶



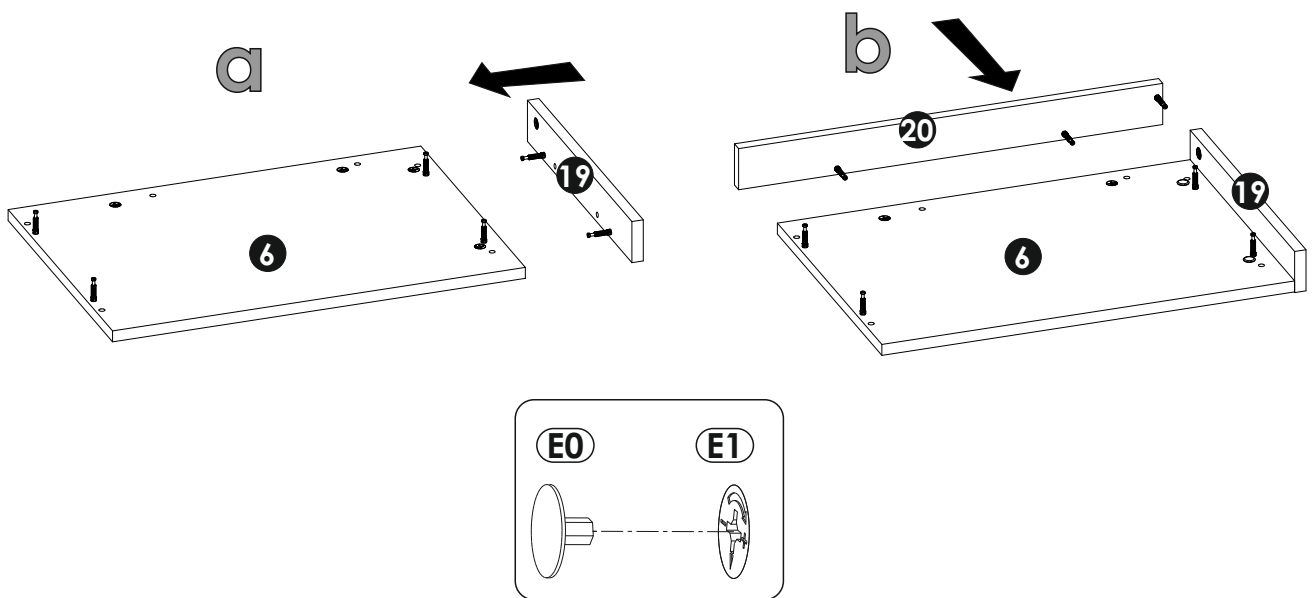
31 ▶



32 ▶

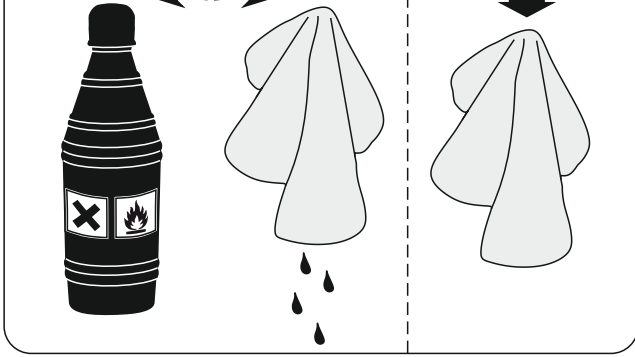


33 ▶



34 ▶

1

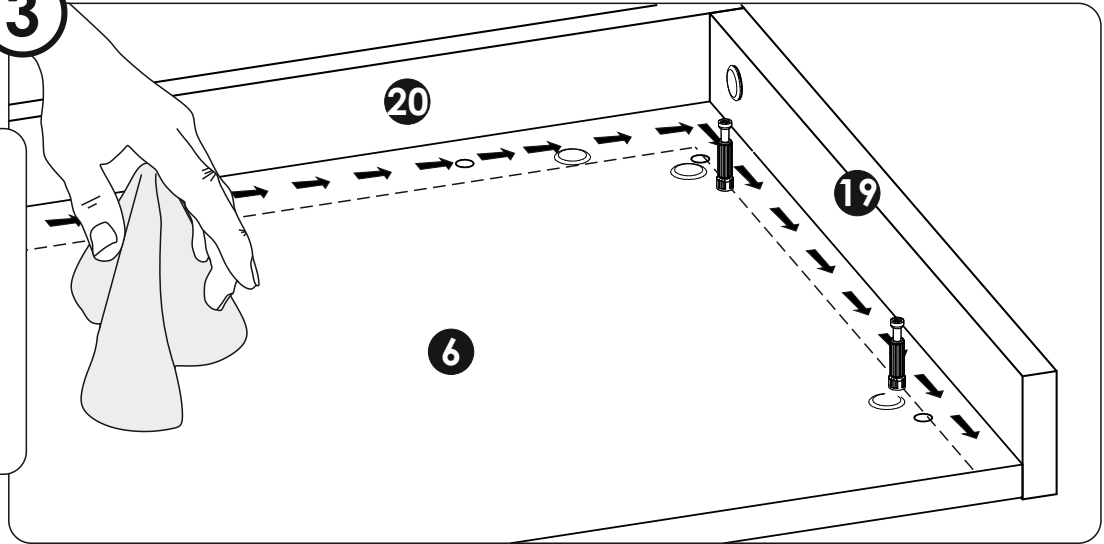
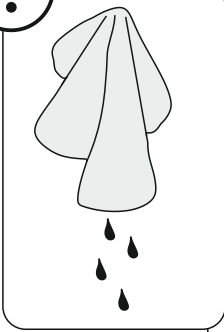


2



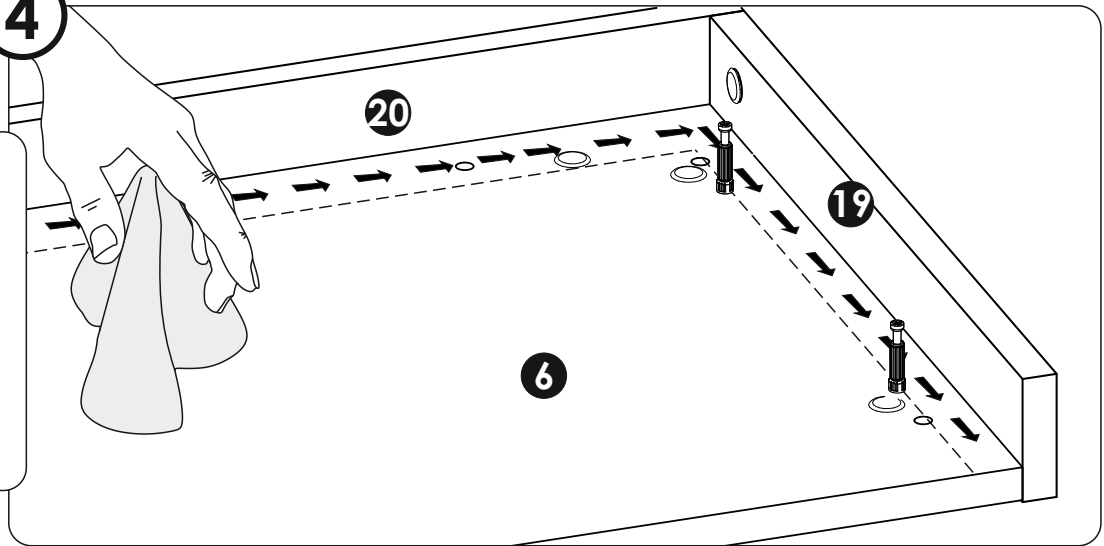
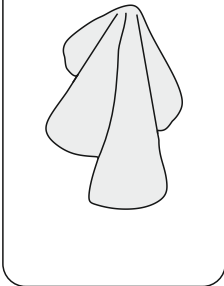
3

!

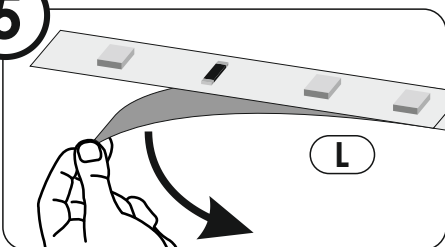


4

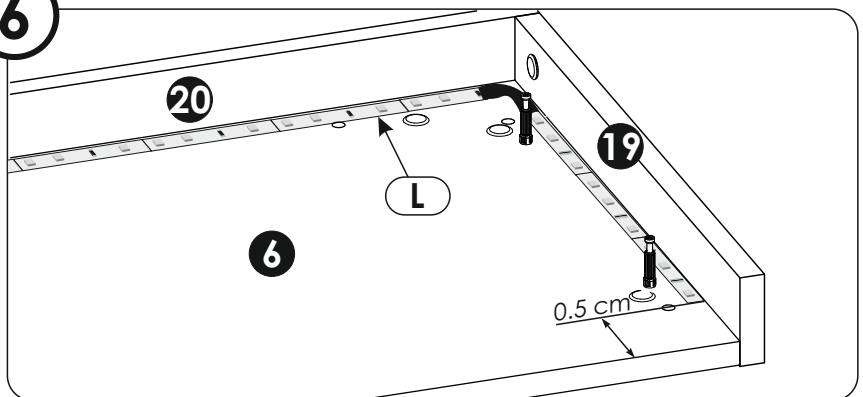
!



5



6



35 ▶

